

Exploded Diagram

Main Assembly

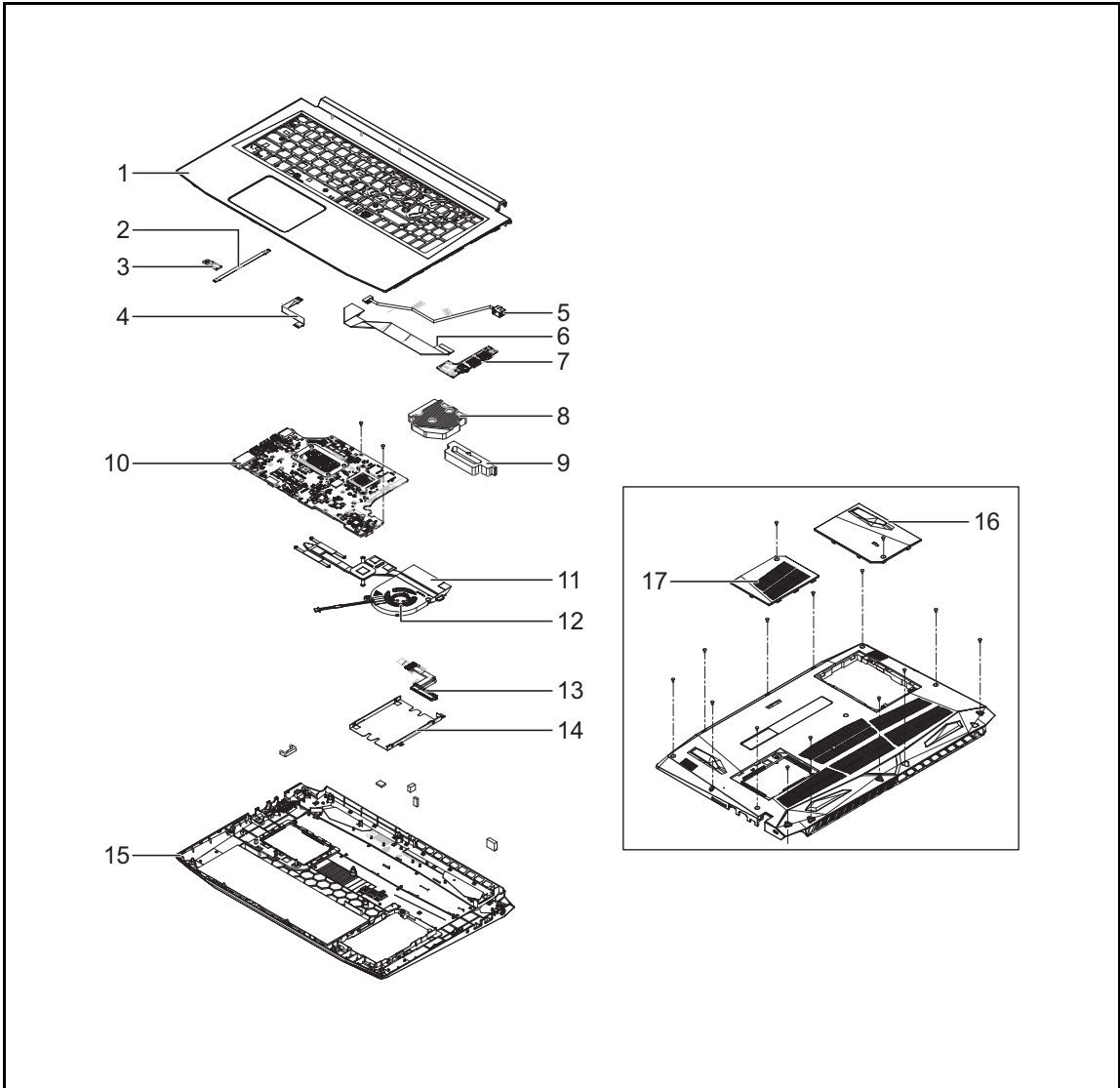


Figure 6-1. Main Assembly Exploded Diagram

Table 6-1. Main Assembly Exploded Diagram

No.	Description	P/N
1	UPPER CASE ASSY - IMR BLACK W/Keyboard LG5P_A52BRL LG5P Internal 15 Standard 103KS Black US International Game Legend,Power,Dish,Red BL, SurFacePrint+WASD(NK.I1513.06B)	6B.Q2XN2.001
2	HALL SENSOR BOARD FFC CABLE	50.Q28N2.001
3	HALL SENSOR BOARD	55.Q2UN2.001

Table 6-1. Main Assembly Exploded Diagram

No.	Description	P/N
4	TOUCHPAD FFC CABLE	50.Q28N2.005
5	DC-IN CABLE 65W	50.Q2XN2.002
6	IO BOARD FFC CABLE	50.Q2XN2.001
7	IO BOARD	55.Q2XN2.001
8	DUMMY FAN RUBBER	47.Q2XN2.005
9	THERMAL SPONGE	47.Q2XN2.004
10	Mainboard A515-51 Intel UMA Acer Logo LF I36006U HDMI non-bl	NB.GP411.001
11	THERMAL MODULE DIS W/O FAN	60.Q2XN2.001
12	PLASTIC FAN	23.Q2XN2.001
13	HDD CABLE	50.Q2XN2.003
14	HDD BRACKET	33.Q28N2.001
15	LOWER CASE ASSY - BLACK	60.Q2SN2.001
16	HDD DOOR	42.Q28N2.001
17	RAM DOOR	42.Q28N2.002

Upper Cover Assembly

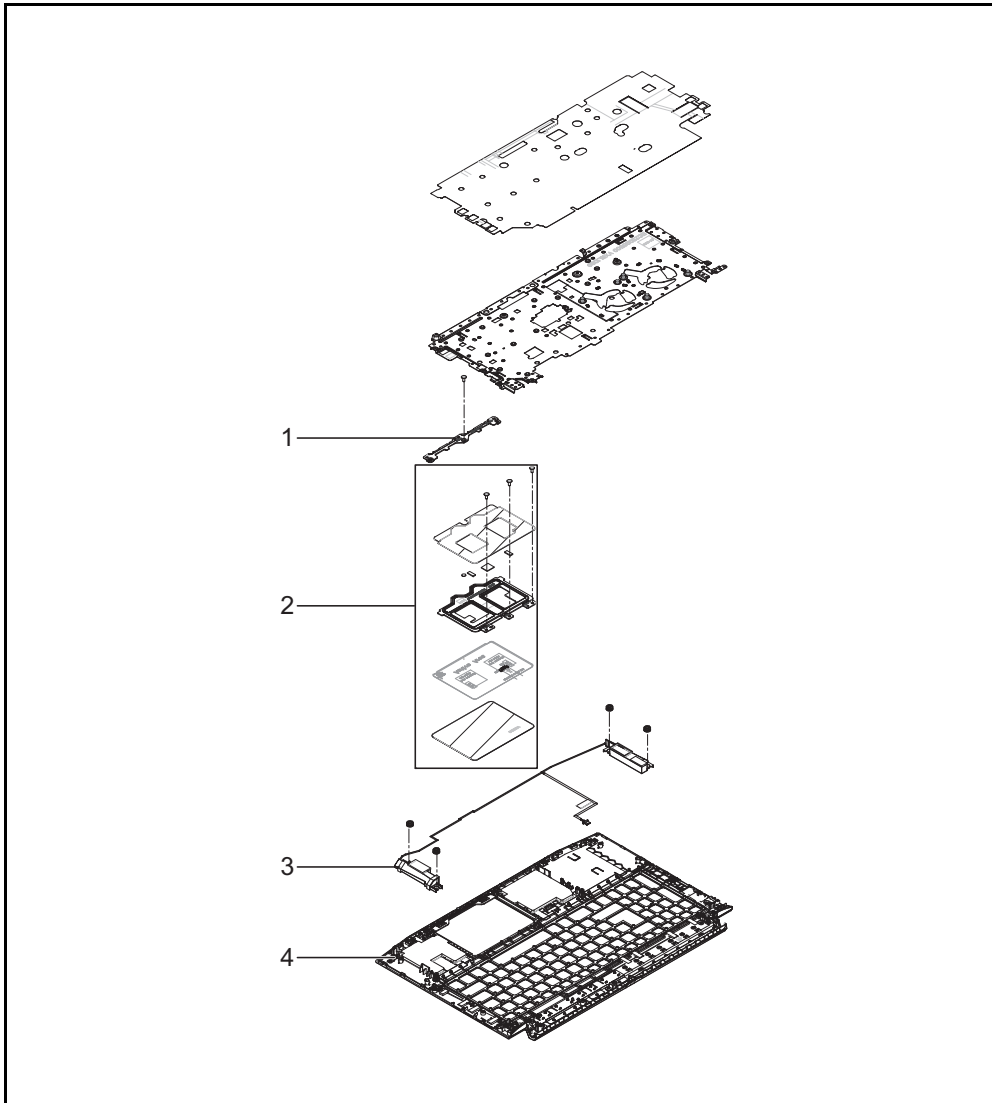


Figure 6-2. Upper Cover Assembly Exploded Diagram

Table 6-2. Upper Cover Assembly Exploded Diagram

No.	Description	P/N
1	TOUCHPAD SUPPORT BRACKET	33.Q2UN2.001
2	TOUCH PAD ASSY BLACK-ELANTECH	56.Q2UN2.001
3	SPEAKER L+R	23.Q2XN2.002
4	UPPER CASE ASSY - IMR BLACK W/Keyboard LG5P_A52BRL LG5P Internal 15 Standard 103KS Black US International Game Legend,Power,Dish,Red BL, SurFacePrint+WASD(NK.I1513.06B)	6B.Q2XN2.001

LCD Assembly

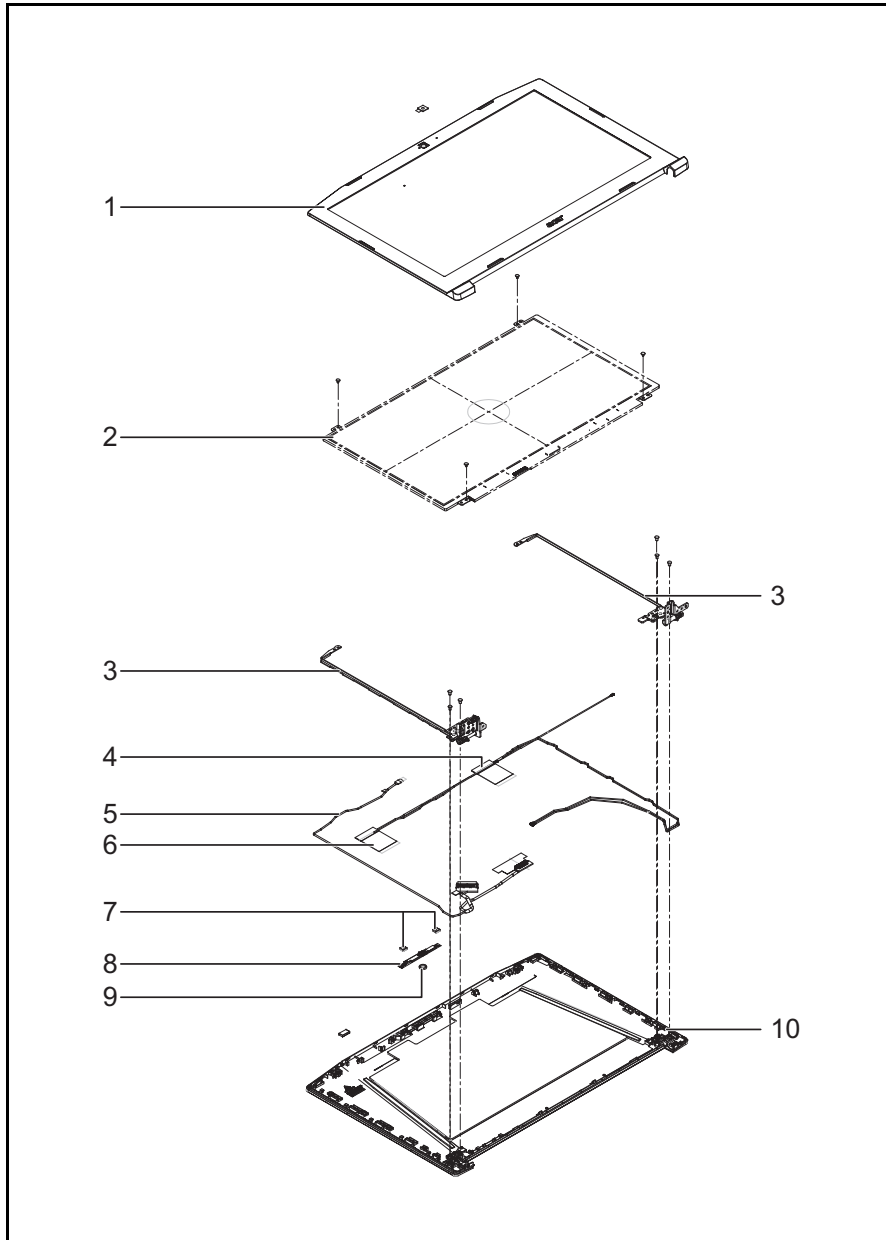


Figure 6-3. LCD Assembly Exploded Diagram

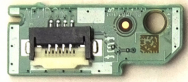





Table 6-3. LCD Assembly Exploded Diagram

No.	Description	P/N
1	LCD BEZEL ASSY BLACK	60.Q2SN2.003
2	LCD Panel	KL.15608.035
3	LCD HINGE R&L	33.Q28N2.002
4	ANTENNA - AUX	50.Q28N2.007

Table 6-3. LCD Assembly Exploded Diagram

No.	Description	P/N
5	LCD EDP CABLE	50.Q28N2.008
6	ANTENNA - MAIN	50.Q28N2.006
7	MIC RUBBER	47.Q28N2.003
8	CAMERA	KS.0HD06.011
9	CAMERA SPONGE	47.Q28N2.004
10	LCD COVER ASSY IMR BLACK - FOR IMR SKU	60.Q2SN2.002

FRU List

CATEGORY	Acer Description	Acer PN
BOARD		
	IO BOARD	55.Q2XN2.001
	HALL SENSOR BOARD	55.Q2UN2.001
CABLE		
	HALL SENSOR BOARD FFC CABLE	50.Q28N2.001
	IO BOARD FFC CABLE	50.Q2XN2.001
	DC-IN CABLE 65W	50.Q2XN2.002
	HDD CABLE	50.Q2XN2.003
	TOUCHPAD FFC CABLE	50.Q28N2.005
	POWER CORD 1M BLACK BLACK SOUTH AFRICA	27.Q28N2.001
	POWER CORD 1M BLACK BLACK AUSTRALIA	27.Q28N2.002
	POWER CORD 1M BLACK EU	27.Q28N2.003
	POWER CORD 1M BLACK DENMARK	27.Q28N2.004
	POWER CORD 1M BLACK ISRAEL	27.Q28N2.005
	POWER CORD 1M BLACK ITALIAN	27.Q28N2.006
	POWER CORD 1M BLACK JAPAN	27.Q28N2.007
	POWER CORD 1M BLACK CHINA	27.Q28N2.008
	POWER CORD 1M BLACK INDIA	27.Q28N2.009
	POWER CORD 1M BLACK SWISS	27.Q28N2.010
	POWER CORD 1M BLACK UK	27.Q28N2.011
	POWER CORD 1M BLACK TWN	27.Q28N2.012

CATEGORY	Acer Description	Acer PN
	POWER CORD 1M BLACK ARGENTINA	27.Q28N2.013
	POWER CORD 1M BLACK KOREA	27.Q28N2.014
	POWER CORD 1M BLACK US	27.Q28N2.015
	POWER CORD 1M BLACK BRAZIL	27.Q28N2.016
	ANTENNA - MAIN	50.Q28N2.006
	ANTENNA - AUX	50.Q28N2.007
	LCD EDP CABLE	50.Q28N2.008
CAMERA		
	CAMERA	KS.0HD06.011
CASE/COVER/BRACKET ASSEMBLY		
	TOUCH PAD ASSY BLACK-ELANTECH	56.Q2UN2.001
	TOUCH PAD ASSY BLACK-SYNAPTICS	56.Q2UN2.002
	TOUCHPAD SUPPORT BRACKET	33.Q2UN2.001
	LOWER CASE ASSY - BLACK	60.Q2SN2.001
	HDD DOOR	42.Q28N2.001









CATEGORY	Acer Description	Acer PN
	RAM DOOR	42.Q28N2.002
	HDD BRACKET	33.Q28N2.001
	LCD COVER ASSY IMR BLACK - FOR IMR SKU	60.Q2SN2.002
	LCD BEZEL ASSY BLACK	60.Q2SN2.003
	LCD HINGE R&L	33.Q28N2.002
FAN		
	PLASTIC FAN	23.Q2XN2.001
HEATSINK		
	THERMAL MODULE DIS W/O FAN	60.Q2XN2.001
KEYBOARD ASSEMBLY		
	UPPER CASE ASSY - IMR BLACK W/Keyboard LG5P_A52BRL LG5P Internal 15 Standard 103KS Black US International Game Legend,Power,Dish,Red BL, SurFacePrint+WASD(NK.I1513.06B)	6B.Q2XN2.001
	UPPER CASE ASSY - IMR BLACK W/Keyboard LG5P_A52BRL LG5P Internal 15 Standard 103KS Black Greek Game Legend,Power,Dish,Red BL, SurFacePrint+WASD(NK.I1513.065)	6B.Q2XN2.002
	UPPER CASE ASSY - IMR BLACK W/Keyboard LG5P_A52BRL LG5P Internal 15 Standard 103KS Black Arabic Game Legend,Power,Dish,Red BL, SurFacePrint+WASD(NK.I1513.063)	6B.Q2XN2.003

CATEGORY	Acer Description	Acer PN
	UPPER CASE ASSY - IMR BLACK W/Keyboard LG5P_A52BRL LG5P Internal 15 Standard 103KS Black Traditional Chinese Game Legend,Power,Dish,Red BL, SurFacePrint+WASD(NK.I1513.064)	6B.Q2XN2.004
	UPPER CASE ASSY - IMR BLACK W/Keyboard LG5P_A52BRL LG5P Internal 15 Standard 103KS Black Russian Game Legend,Power,Dish,Red BL, SurFacePrint+WASD(NK.I1513.067)	6B.Q2XN2.005
	UPPER CASE ASSY - IMR BLACK W/Keyboard LG5P_A52BRL LG5P Internal 15 Standard 103KS Black US International w/ Hebrew Game Legend,Power,Dish,Red BL, SurFacePrint+WASD(NK.I1513.06C)	6B.Q2XN2.006
	UPPER CASE ASSY - IMR BLACK W/Keyboard LG5P_A52BRL LG5P Internal 15 Standard 103KS Black Thailand Game Legend,Power,Dish,Red BL, SurFacePrint+WASD(NK.I1513.06A)	6B.Q2XN2.007
	UPPER CASE ASSY - IMR BLACK W/Keyboard LG5P_A52BRL LG5P Internal 15 Standard 103KS Black Korean Game Legend,Power,Dish,Red BL, SurFacePrint+WASD(NK.I1513.066)	6B.Q2XN2.008
	UPPER CASE ASSY - IMR BLACK W/Keyboard LG5P_A52BRL LG5P Internal 15 Standard 103KS Black Ukrainian Game Legend,Power,Dish,Red BL, SurFacePrint+WASD(NK.I1513.068)	6B.Q2XN2.009
	UPPER CASE ASSY - IMR BLACK W/Keyboard LG5P_A52BRL LG5P Internal 15 Standard 103KS Black Persian Game Legend,Power,Dish,Red BL, SurFacePrint+WASD(NK.I1513.069)	6B.Q2XN2.010
	UPPER CASE ASSY - IMR BLACK W/Keyboard LG5P_A52BRL LG5P Internal 15 Standard 104KS Black UK Game Legend,Power,Dish,Red BL, SurFacePrint+WASD(NK.I1513.06Y)	6B.Q2XN2.011
	UPPER CASE ASSY - IMR BLACK W/Keyboard LG5P_A52BRL LG5P Internal 15 Standard 104KS Black German Game Legend,Power,Dish,Red BL, SurFacePrint+WASD(NK.I1513.06M)	6B.Q2XN2.012
	UPPER CASE ASSY - IMR BLACK W/Keyboard LG5P_A52BRL LG5P Internal 15 Standard 104KS Black Swiss/G Game Legend,Power,Dish,Red BL, SurFacePrint+WASD(NK.I1513.06W)	6B.Q2XN2.013
	UPPER CASE ASSY - IMR BLACK W/Keyboard LG5P_A52BRL LG5P Internal 15 Standard 104KS Black Belgium Game Legend,Power,Dish,Red BL, SurFacePrint+WASD(NK.I1513.06E)	6B.Q2XN2.014

CATEGORY	Acer Description	Acer PN
	UPPER CASE ASSY - IMR BLACK W/Keyboard LG5P_A52BRL LG5P Internal 15 Standard 104KS Black Nordic Game Legend,Power,Dish,Red BL, SurFacePrint+WASD(NK.I1513.06Q)	6B.Q2XN2.026
	UPPER CASE ASSY - IMR BLACK W/Keyboard LG5P_A52BRL LG5P Internal 15 Standard 104KS Black SLO/CRO Game Legend,Power,Dish,Red BL, SurFacePrint+WASD(NK.I1513.06T)	6B.Q2XN2.027
	UPPER CASE ASSY - IMR BLACK W/Keyboard LG5P_A52BRL LG5P Internal 15 Standard 104KS Black CZ/SK Game Legend,Power,Dish,Red BL, SurFacePrint+WASD(NK.I1513.06H)	6B.Q2XN2.028
	UPPER CASE ASSY - IMR BLACK W/Keyboard LG5P_A52BRL LG5P Internal 15 Standard 104KS Black Bulgaria Game Legend,Power,Dish,Red BL, SurFacePrint+WASD(NK.I1513.06G)	6B.Q2XN2.029
	UPPER CASE ASSY - IMR BLACK W/Keyboard LG5P_A52BRL LG5P Internal 15 Standard 104KS Black Brazilian Portuguese Game Legend,Power,Dish,Red BL, SurFacePrint+WASD(NK.I1513.06F)	6B.Q2XN2.030
	UPPER CASE ASSY - IMR BLACK W/Keyboard LG5P_A52BRL LG5P Internal 15 Standard 104KS Black ALA-Spanish Game Legend,Power,Dish,Red BL, SurFacePrint+WASD(NK.I1513.06D)	6B.Q2XN2.031
	UPPER CASE ASSY - IMR BLACK W/Keyboard LG5P_A52BRL LG5P Internal 15 Standard 107KS Black Japanese Game Legend,Power,Dish,Red BL, SurFacePrint+WASD(NK.I1513.070)	6B.Q2XN2.032
MAINBOARD		
	Mainboard A515-51 Intel UMA Acer Logo LF I36006U HDMI non-bl	NB.GP411.001
	Mainboard A515-51 Intel UMA Acer Logo LF I3-7100 2.2 HDMI non-bl	NB.GP411.002
	Mainboard A515-51 Intel UMA Acer Logo LF I5-7200 2.2 HDMI non-bl	NB.GP411.003
	Mainboard A515-51 Intel UMA Acer Logo LF I7-7500 2.2 HDMI non-bl	NB.GP411.004
	Mainboard A515-51G Intel Nvidia 2G Acer Logo LF N17SG1_2G/ I36006 HDMI non-bl	NB.GPC11.001

CATEGORY	Acer Description	Acer PN
	Mainboard A515-51G Intel Nvidia 2G Acer Logo LF N16SGTR_2G/ I3-6006U HDMI non-bl	NB.GP511.001
	Mainboard A515-51G Intel Nvidia 2G Acer Logo LF N16SGTR_2G/ I3-7100U HDMI non-bl	NB.GP511.002
	Mainboard A515-51G Intel Nvidia 2G Acer Logo LF N16SGTR_2G/ I5-7200U HDMI non-bl	NB.GP511.003
	Mainboard A515-51G Intel Nvidia 2G Acer Logo LF N16SGTR_2G/ I7-7500U HDMI non-bl	NB.GP511.004
	Mainboard A515-51G Intel Nvidia 2G Acer Logo LF N17SG1_2G/ I3-7100U HDMI non-bl	NB.GPC11.002
	Mainboard A515-51G Intel Nvidia 2G Acer Logo LF N17SG1_2G/ I5-7200U HDMI non-bl	NB.GPC11.003
	Mainboard A515-51G Intel Nvidia 2G Acer Logo LF N17SG1_2G/ I7-7500U HDMI non-bl	NB.GPC11.004
LCD PANEL		
	LCD PANEL	KL.15608.035
MISCELLANEOUS		
	MIC RUBBER	47.Q28N2.003
	CAMERA SPONGE	47.Q28N2.004
	WLAN CARD SPONGE AMD	47.Q2UN2.001
	LOG LOW ESD GASKET A	47.Q2UN2.002
	MB RING CONDUCTIVE TAPE	47.Q2UN2.003
	LOG UP THM GASKET A	47.Q2XN2.001
	LOG UP THM GASKET B	47.Q2XN2.002
	DUMMY FIN RUBBER	47.Q2XN2.003
	THERMAL SPONGE	47.Q2XN2.004
	DUMMY FAN RUBBER	47.Q2XN2.005
SPEAKER		
	SPEAKER L+R	23.Q2XN2.002

Screw List

CATEGORY	Acer Description	Acer PN
SCREWS		
	SCREW M2.5X0.45+4K-NIL	86.Q1RN2.002
	SCREW 2D 3L K 4.5D ZK NL CR3 0.4T	86.GCHN2.009
	SCREW 2.5D 3.0L K 5.3D NI NL	86.MXRN2.005
	SCREW 2.5D 6L K 4.6D ZK NL	86.GD0N2.007
	SCREW 2.5D 8L K 4.6D .8T BNI-ZN NL	86.GM1N2.001
	SCREW 3.0D 3.0L K 4.9D NI	86.MXRN2.008
	SCREW 2D 4.0L K 4.6D NI NL	86.VCBN2.002
	SCREW 2.0D 2.5L K 5D NI NL	86.GCHN2.010